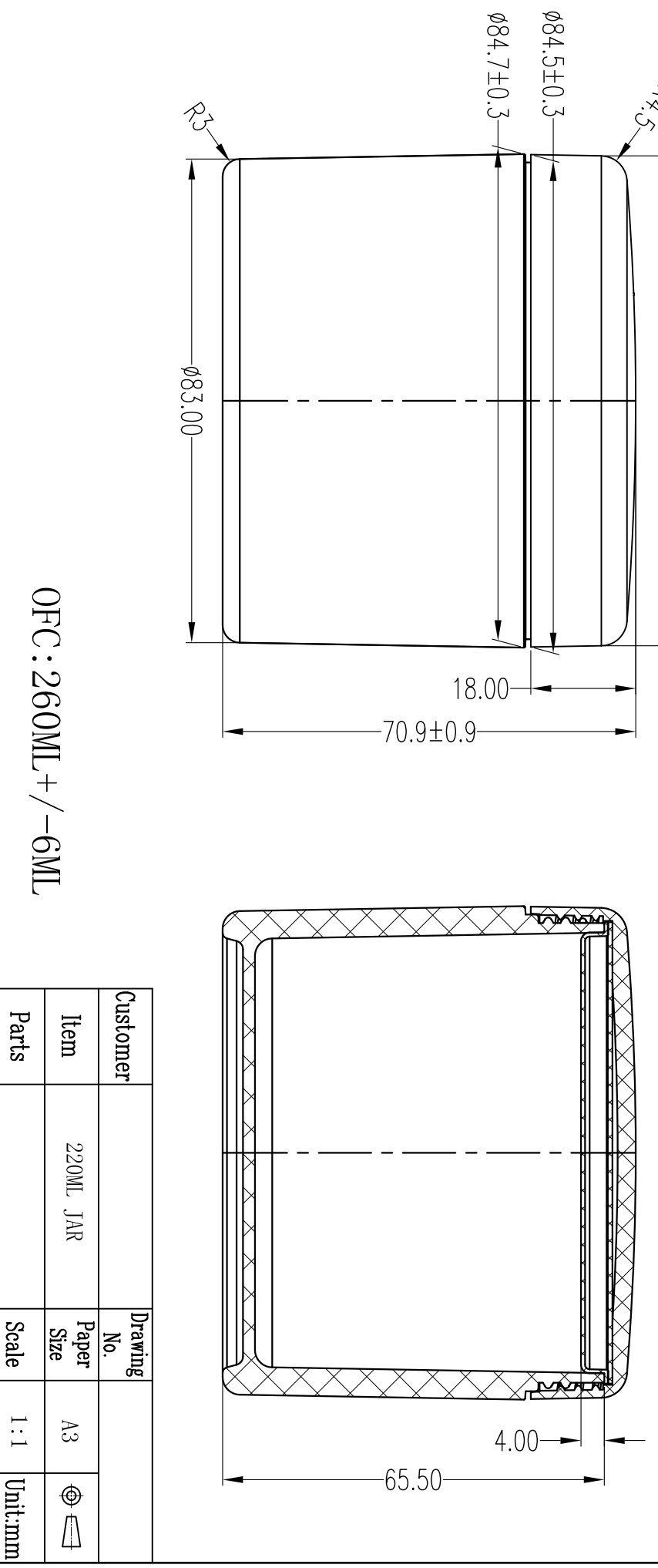


NO.	NAME	MATERIAL	WEIGHT (g)	MARK
1	Cap	ABS		
2	Linier	PE		
3	Disc	PE		
4	Jar	AS		
5				
6				
7				



OFC: 260ML +/- 6ML

No.	Revisions	Description	Drawn	Date	Approved	Checked	Design	Material	Customer	Item	Drawing No.	Paper Size	Scale	Unit:mm
						Z. J.	YJW			220ML JAR		A3	1:1	
Tolerances														



Drawn YJW Date 09/09/2016